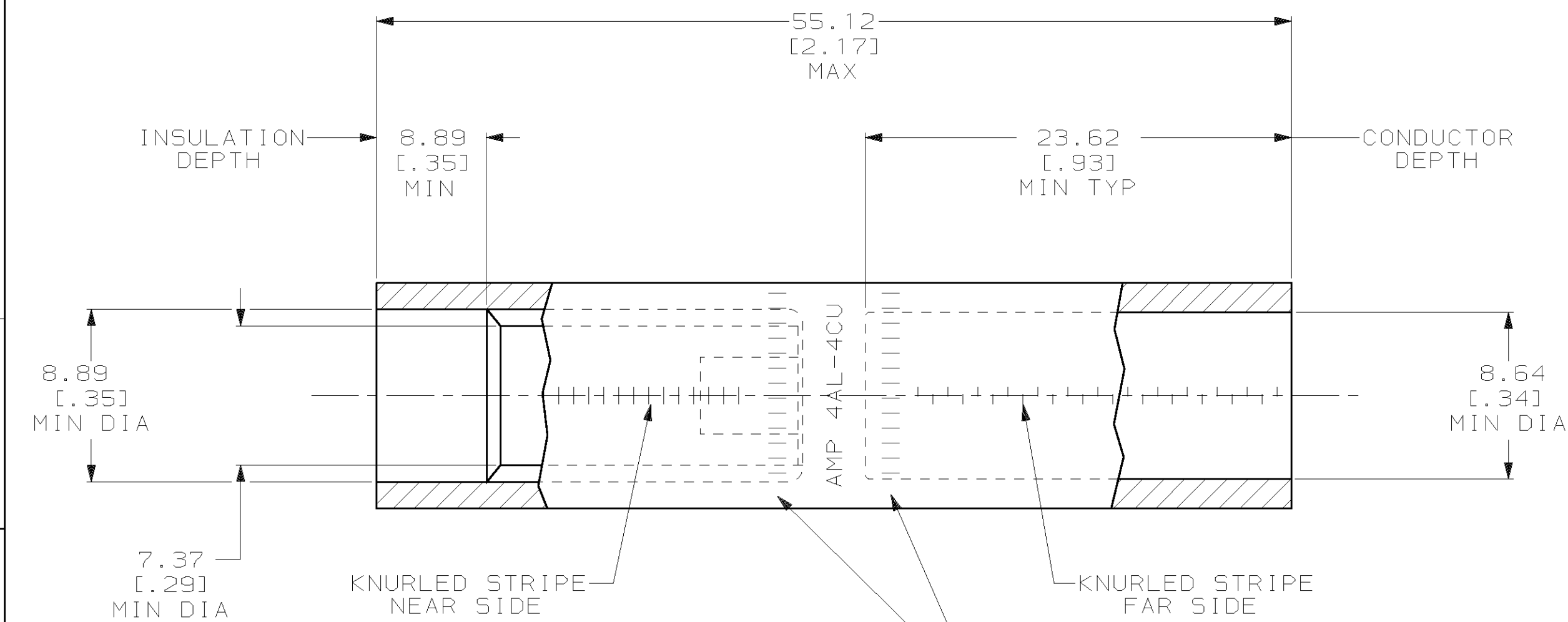
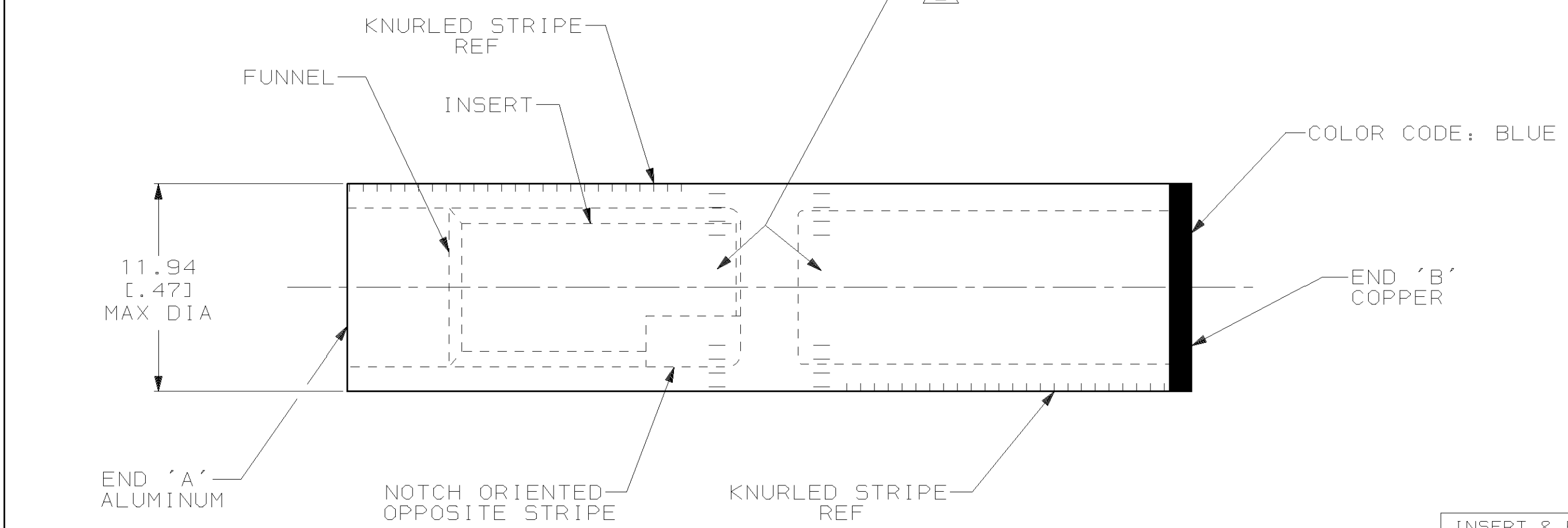


THIS DRAWING IS UNPUBLISHED. RELEASED FOR PUBLICATION .19
 © COPYRIGHT 19 BY AMP INCORPORATED. ALL INTERNATIONAL RIGHTS RESERVED.

| LOC | | DIST | | ZONE | | LTR | | REVISIONS | | DATE | APPD |
|-----|--|------|--|------|--|-----|--|-----------|----------------------|---------|-------|
| G | | 86 | | | | | | K | REV PER 0G3A-0588-00 | 12SEP00 | JR/MS |



- 1 WIRE INSULATION:
 END 'A' 7.01 [.276] - 7.75 [.305] DIA FOR 4 AL
 END 'B' 7.01 [.276] - 7.75 [.305] DIA FOR 4 CU
- 2 CIRCUMFERENTIAL KNURLS HAVE BLANK AREAS POSITIONED 90° FROM STRAIGHT KNURLED STRIPES DESIGNATING NEW COPPER SPLICE BODY ALLOY ASTM B-301



| | |
|---|----------|
| INSERT & FUNNEL: BRASS MIL-C-50 NICKEL PL QQ-N-290 0.00762 [.000300] AVG THK | 277165-1 |
| SPLICE: COPPER ASTM B-301 TIN PL MIL-T-10727 0.00381 [.000150] MIN THK | |
| PART NO | |

| | | |
|---|-------------------------------------|--|
| DO NOT SCALE PRINT. UNLESS SPECIFIED DIMENSIONS IN mm [INCHES] TOLERANCES ON: 2 PLC DEC ± - 3 PLC DEC ± - ANGLES ± - | DR 7/6/89 DK SCHRUM | AMP Incorporated Harrisburg, PA 17105-3608 |
| | CHK 5/1/91 MS FEHER | |
| MATERIAL SEE TABLE | APPD 2/24/92 WJ VOCKROTH | NAME WIRE SPLICE, TRANSITIONAL, COPALUM™, SEALED, WIRE SIZE: 21.9mm ² [4] ALUMINUM 22.0mm ² [4] COPPER |
| | APPD 2/24/92 CR RHODS | |
| FINISH SEE TABLE | PRODUCT SPEC 108-11011 TENTATIVE | SIZE C 00779 |
| | APPLICATION SPEC 114-2134 | CAGE CODE 00779 |
| WEIGHT 26.0 ±10 GRAMS | SCALE 4:1 | DRAWING NO 277165 |
| | | SHEET 1 OF 1 |

METRIC